

Model: Pomelo		Date: 30-Apr-99	No.: MG033001
Modified Article: Parts Catalog		Prepared by: H. Someya	
From: Technical Service Dept., GTS Division			
Reason for Modification:	<input checked="" type="checkbox"/> Parts catalog correction <input type="checkbox"/> To facilitate assembly <input type="checkbox"/> Part standardization	<input type="checkbox"/> Vendor change <input type="checkbox"/> To improve reliability <input type="checkbox"/> Other	<input type="checkbox"/> To meet standards ()

Please correct your parts catalog as follows.

Old part number	New part number	Description	Qty	Int	Page	Index	Note
V126176	V126528	Separation Pad			9	8	
V126176	V126528	Separation Pad			15	6	

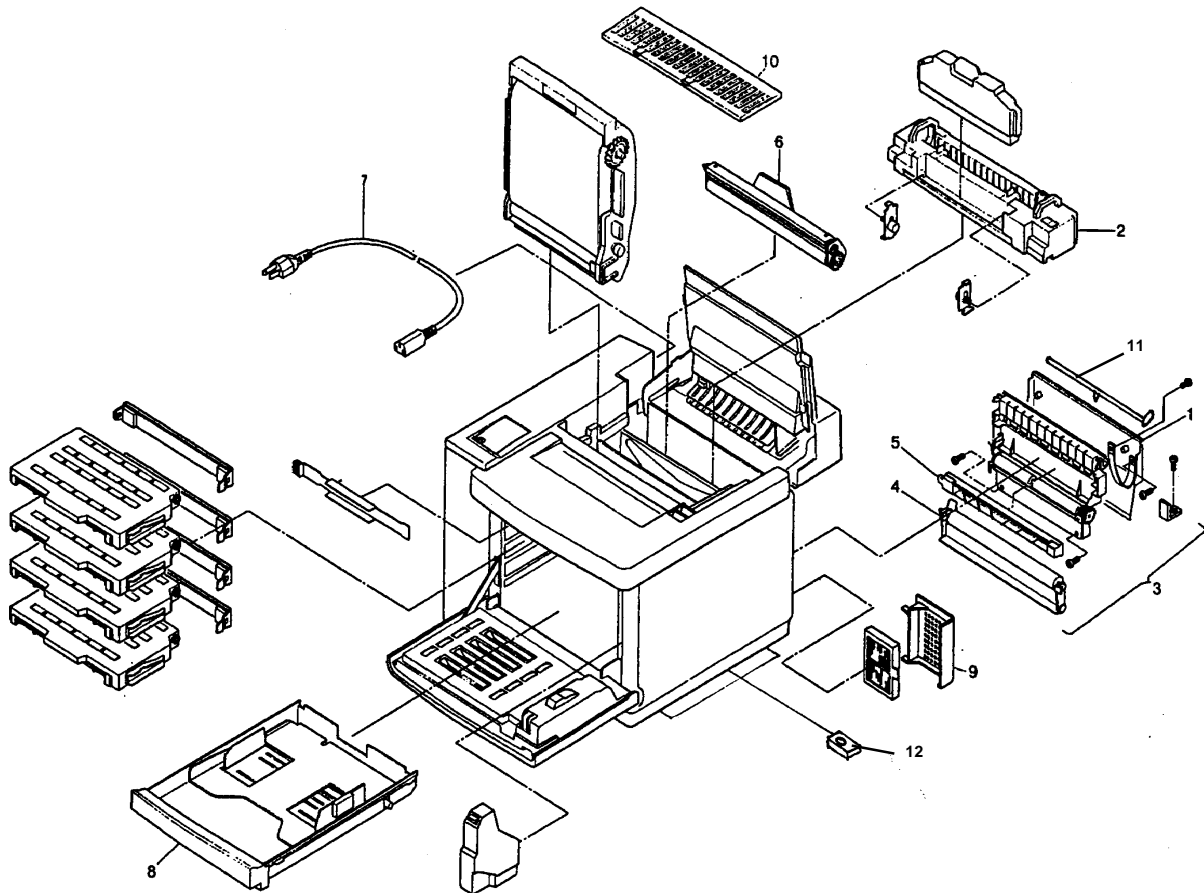
Model: Pomelo		Date: 30-Jun-99	No.: MG033002
Modified Article: Parts Catalog		Prepared by: H. Someya	
From: Technical Service Dept., GTS Division			
Reason for Modification:	<input type="checkbox"/> Parts catalog correction <input type="checkbox"/> To facilitate assembly <input type="checkbox"/> Part standardization	<input type="checkbox"/> Vendor change <input type="checkbox"/> To improve reliability <input checked="" type="checkbox"/> Other	<input type="checkbox"/> To meet standards ()

The following parts have been registered as service parts:

Old part number	New part number	Description	Qty	Int	Page	Index	Note
	V126534	Actuator – Transfer Unit	1		3	11	*1
	V126531	Wedge – 3 pcs	1		3	12	*1
	V126529	Oil Felt – Fusing Roller	1		9	33	*1
	V126530	Oil Pan Unit	1		9	34	*1
	V126533	Quenching Lamp Holder – 2 pcs	1		9	35	*1
	G0296845	Decal – Aficio *2	1		17	5	*1

*1: New index, *2: Only used for the Europe version (G033-27)

Illustration for page 3



Model: Pomelo	Date: 30-Jun-99	No.: MG033002
---------------	-----------------	---------------

Illustration for page 9

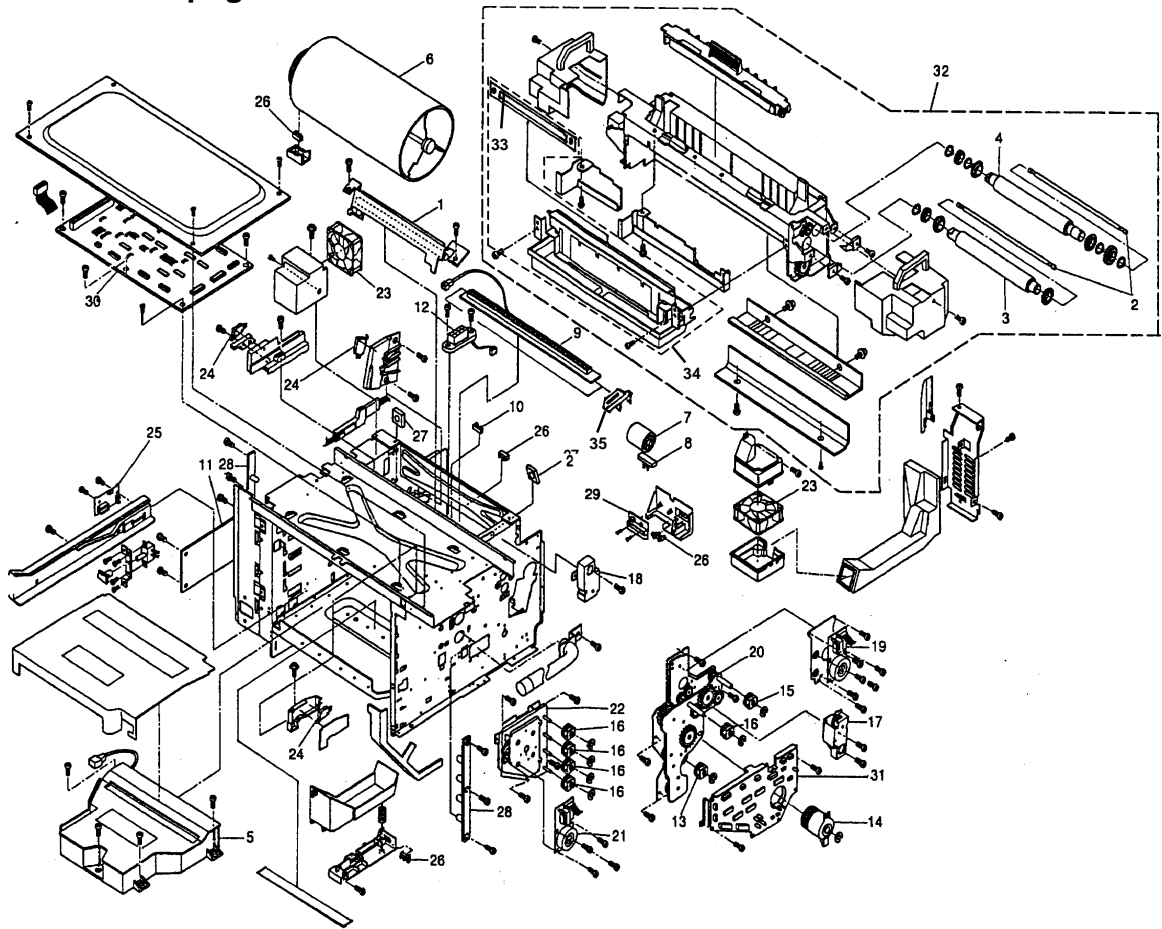


Illustration for page 17



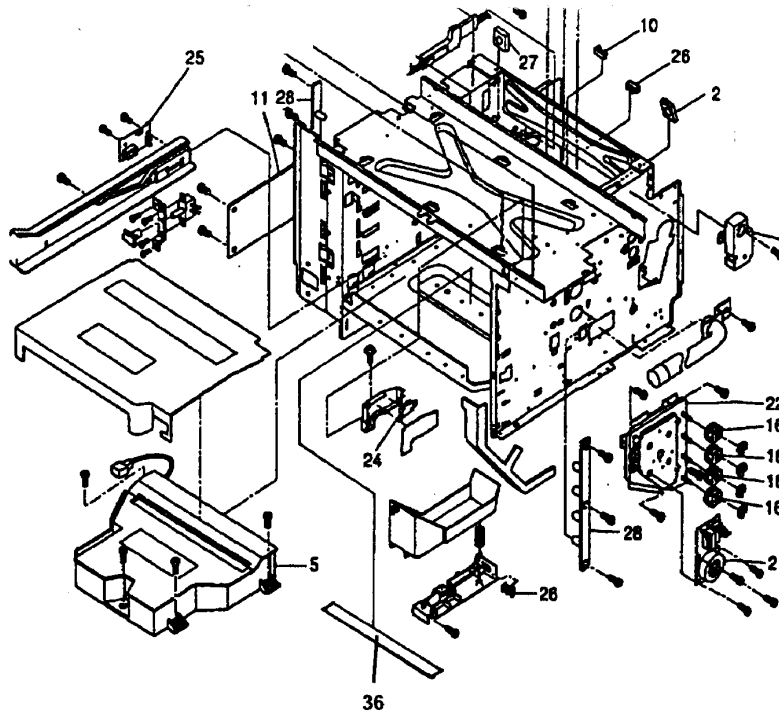
Model: Pomelo		Date: 15-Aug-99	No.: MG033003
Modified Article: Optical Unit		Prepared by: H. Someya	
From: Technical Service Dept., GTS Division			
Reason for Modification:	<input type="checkbox"/> Parts catalog correction	<input type="checkbox"/> Vendor change	<input type="checkbox"/> To meet standards ()
	<input type="checkbox"/> To facilitate assembly	<input checked="" type="checkbox"/> To improve reliability	
	<input type="checkbox"/> Part standardization	<input type="checkbox"/> Other	

To prevent dust from entering the optical unit, polyester tape has been attached to block the holes in the base.

Old part number	New part number	Description	Qty	Int	Page	Index	Note
	V126239	Polyester Tape – 20 pcs	1		9	36	

Note: The above part contains 20 pieces of tape (as one set).

Illustration for page 9



MODEL NAME	V/Hz	DESTINATION	CODE	SERIAL NUMBER
Ricoh Color Laser AP204 Gestetner C7004 Savin SLP416c	120/50,60	USA	G033-17	P0690200649
Ricoh Color Laser AP204	220/50,60	Europe	G033-27	P0690200869

Model: Pomelo		Date: 12-Jun-00	No.: MG033004
Modified Article: Parts Catalog		Prepared by: H. Someya	
From: Technical Services Dept., GTS Division			
Reason for Modification:	<input checked="" type="checkbox"/> Parts catalog correction <input type="checkbox"/> To facilitate assembly <input type="checkbox"/> Part standardization	<input type="checkbox"/> Vendor change <input type="checkbox"/> To improve reliability <input type="checkbox"/> Other	<input type="checkbox"/> To meet standards ()

The following parts have been registered as service parts:

New part number	Description	Q'ty	Int	Page	Index	Note
V126536	BC Wire Cleaner	1		3	13	
V126190	TR Regist Roller	1		3	14	
V126574	Paper Guide L (UP) 2	1		5	5	
V126534	Actuator – Transfer Unit	1		5	6	
V126539	S Plate Assy	1		7	25	
V126577	HP Idle Z17 (2)	1		7	26	
V126426	DE Hinge Arm	1		7	27	
V126180	BC Terminal	1		7	28	
V126185	Front Stay R	1		7	29	
V126186	Front Stay L	1		7	30	
V126427	DE Solenoid Assy	1		7	31	
V126192	F Lock Cover	1		7	32	
V126168	Belt Sensor	1		9	27	*1
V126188	Lower Waste Toner Feeder	1		9	37	
V126199	MD Gear Ass'y	1		9	38	
V126247	Paper Guide D – 2 pcs	1		9	39	
V126200	Left Cassette Guide	1		9	40	
V126201	Right Cassette Guide	1		9	41	
V126540	WT Holder Assy	1		9	42	
V126541	SW Button	1		9	43	
V126575	FUCR Gear	1		9	44	
V126576	FU Gear 33	1		9	45	

*1: The index number of belt sensor in the illustration has been corrected.

Illustration for page 3

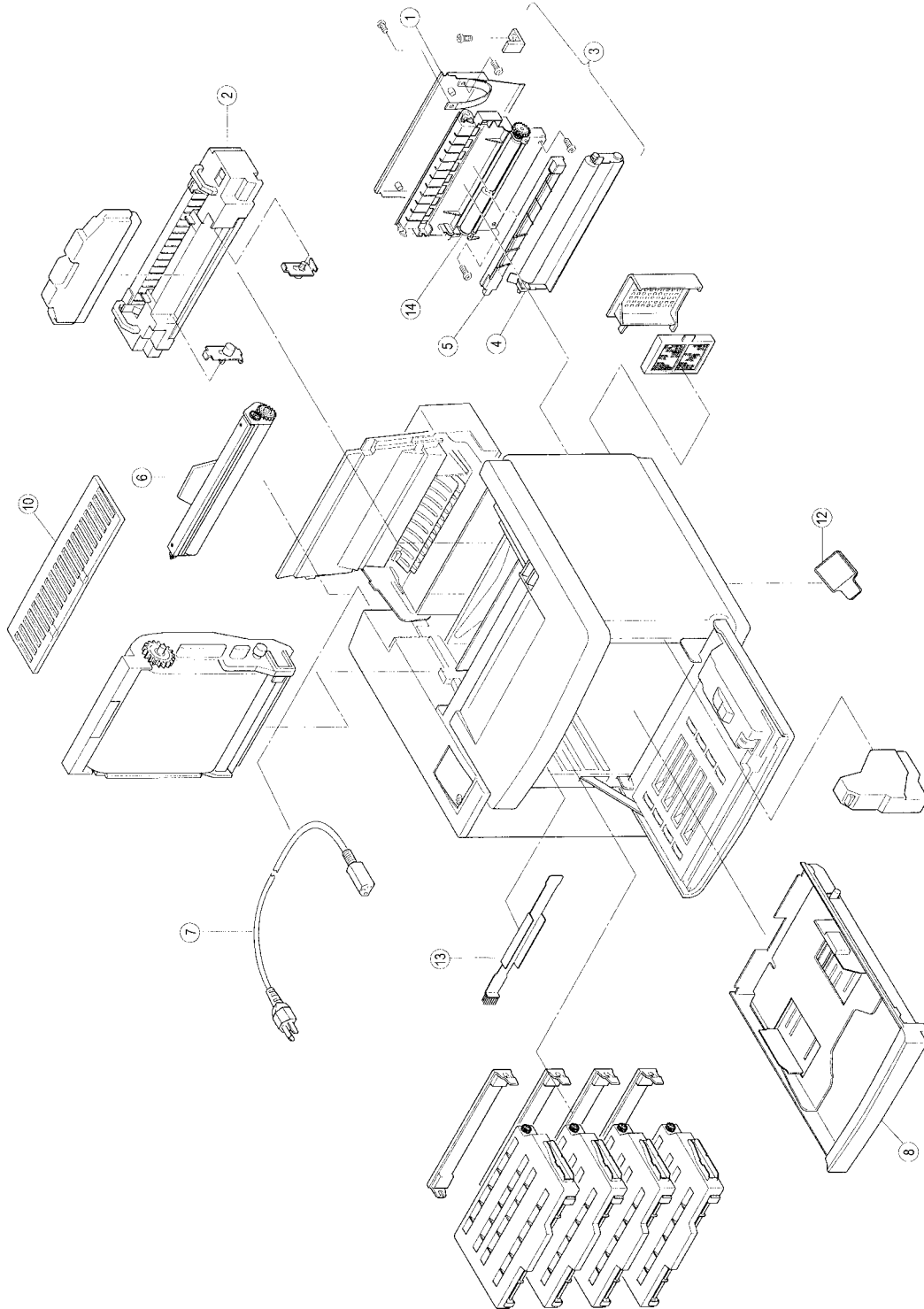
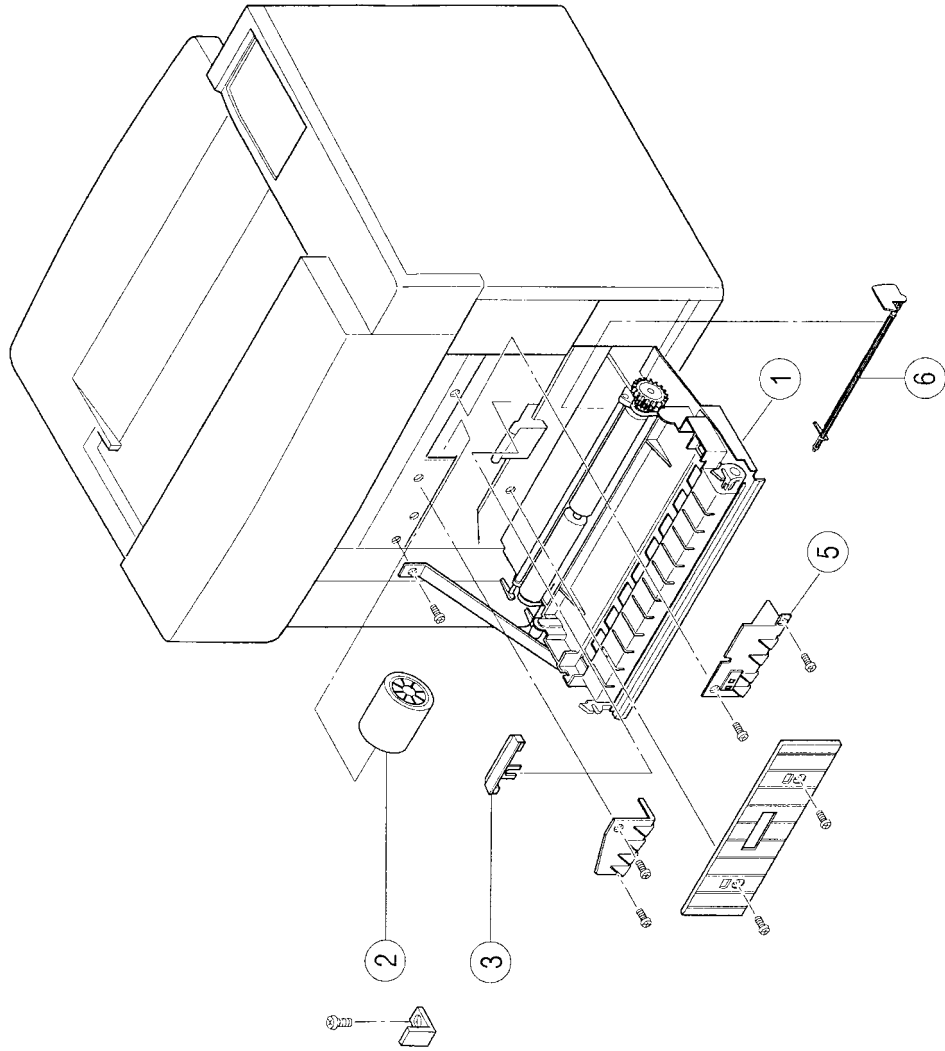
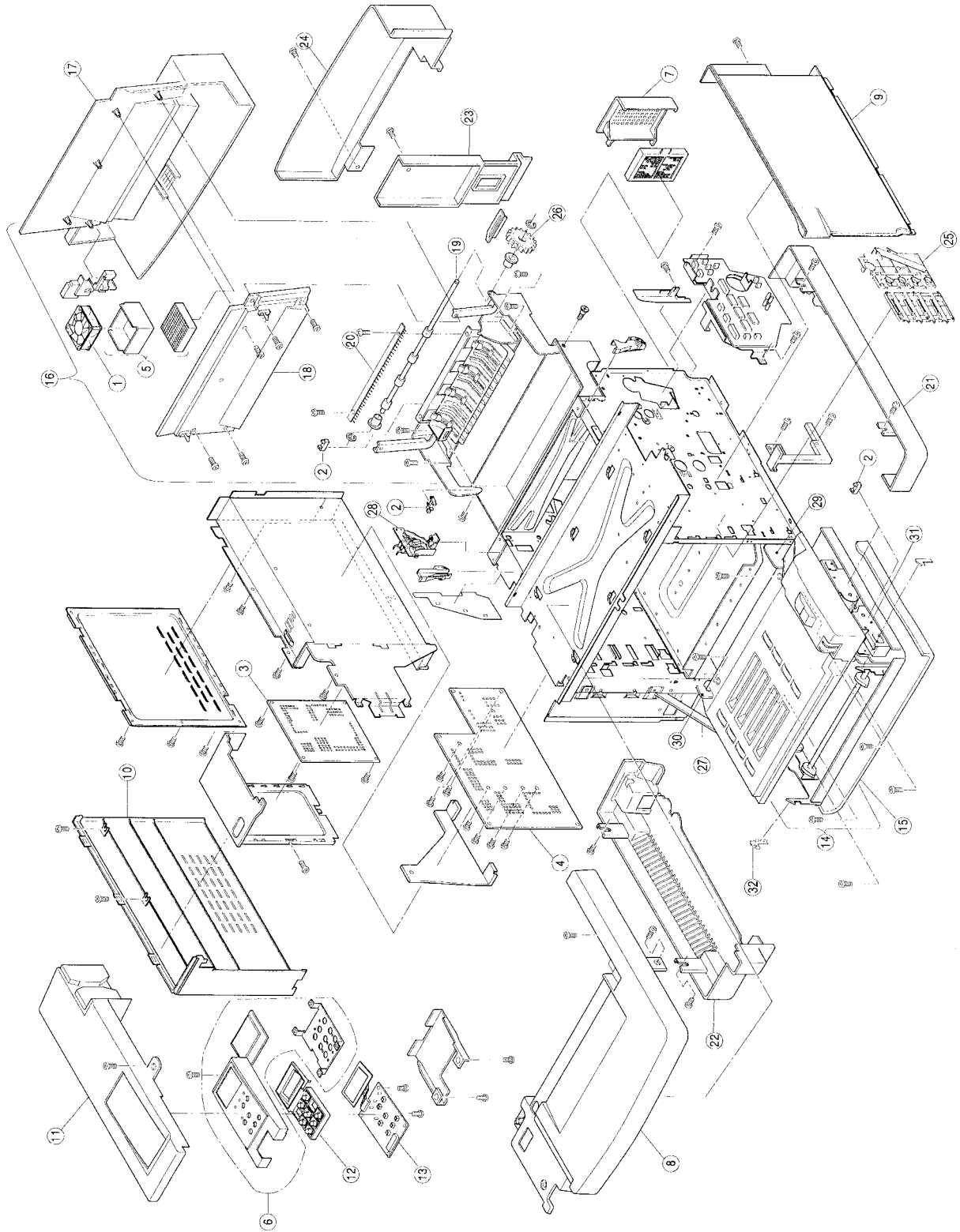


Illustration for page 5



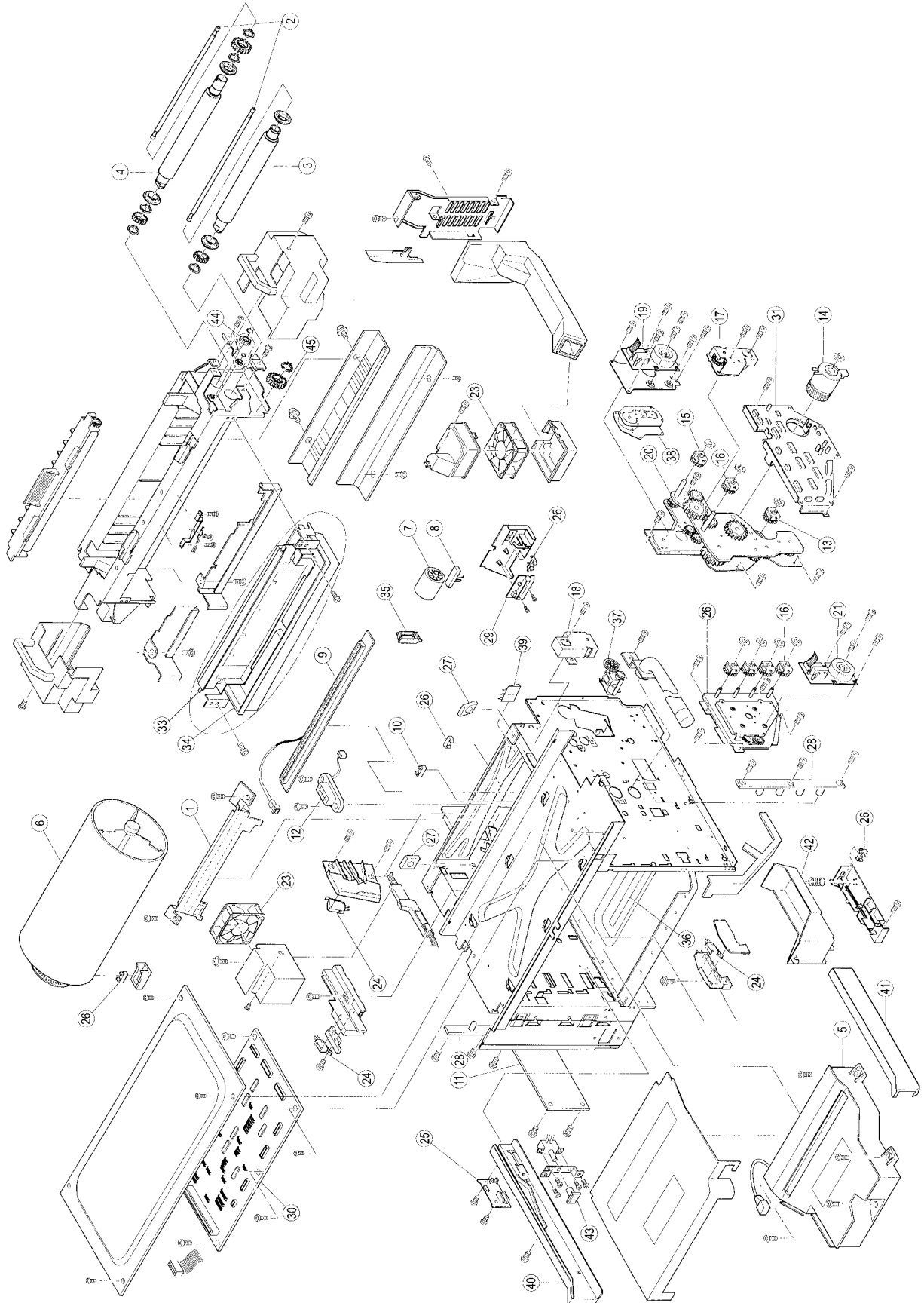
Model: Pomelo	Date: 12-Jun-00	No.: MG033004
---------------	-----------------	---------------

Illustration for page 7



Model: Pomelo	Date: 12-Jun-00	No.: MG033004
---------------	-----------------	---------------

Illustration for page 9



Model: Pomelo	Date: 29-Nov-00	No.: MG033005
---------------	-----------------	---------------

Modified Article: MCTL board and development drive unit		Prepared by: H. Someya	
From: Technical Services Dept., GTS Division			
Reason for Modification:	<input type="checkbox"/> Parts catalog correction	<input type="checkbox"/> Vendor change	<input type="checkbox"/> To meet standards ()
	<input type="checkbox"/> To facilitate assembly	<input type="checkbox"/> To improve reliability	
	<input type="checkbox"/> Part standardization	<input checked="" type="checkbox"/> Other	

Old part number	New part number	Description	Qty	Int	Page	Index	Note
V126187	V126535	MCTL Board	1	X/O	7	3	
V126162	V126246	Development Drive Unit	1	X/X			

The MCTL board has been modified to minimize the following:

1. Insufficient transfer in a band at the leading edge equivalent to one turn of the development roller.
2. Dark lines on the printout at each turn of the development roller
3. Jitter at about 50 mm from the leading edge

Concerning #3 (jitter), the development drive unit has also been modified. Please refer to RTB# RG033006 for details.

Note: The old development drive unit will continue to be available as a service part.

MCTL Board

MODEL NAME	V/Hz	DESTINATION	CODE	SERIAL NUMBER
Ricoh Color Laser AP204 Gestetner C7004 Savin SLP416c	120/50,60	USA	G033-17	P0690900001
Ricoh Color Laser AP204	220/50,60	Europe	G033-27	P0690900489

Development Drive Unit

MODEL NAME	V/Hz	DESTINATION	CODE	SERIAL NUMBER
Ricoh Color Laser AP204 Gestetner C7004 Savin SLP416c	120/50,60	USA	G033-17	P0691000001
Ricoh Color Laser AP204	220/50,60	Europe	G033-27	P0691000489

Model: Pomelo (only for G033-27)		Date: 29-Jan-01	No.: MG033006
Modified Article: PSU and MCTL Board		Prepared by: H. Someya	
From: Technical Services Dept., GTS Division			
Reason for Modification:	<input type="checkbox"/> Parts catalog correction <input type="checkbox"/> To facilitate assembly <input type="checkbox"/> Part standardization	<input type="checkbox"/> Vendor change <input type="checkbox"/> To improve reliability <input type="checkbox"/> Other	<input checked="" type="checkbox"/> To meet standards (EMC)

Old part number	New part number	Description	Q'ty	Int	Page	Index	Note
V126146	V126441	Power Supply Unit – EU	1	X/X	X/O	9	11
V126535	V126547	MCTL Board – EU	1	X/X		7	3

To meet the new EMC compliance requirements implemented from 2001, the PSU and MCTL have been changed.

MODEL NAME	V/Hz	DESTINATION	CODE	SERIAL NUMBER
Ricoh Color Laser AP204 Gestetner C7004 Savin SLP416c	120/50,60	USA	G033-17	
Ricoh Color Laser AP204	220/50,60	Europe	G033-27	P0600900017